

## SUBMITTAL

---

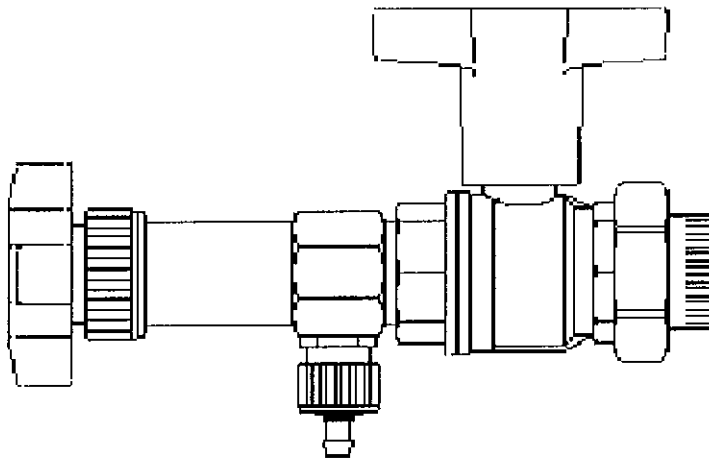
---

### UNICHANGER

---

---

The American Steam Control Unichanger allows for a quick and simple exchange of valve inserts for repair or cleaning without draining the system.



---

---

<b>CUSTOMER</b>	American Steam Control Division of Walsh Controls, Inc. <a href="http://www.americansteamcontrol.com">www.americansteamcontrol.com</a> 98 Vanadium Rd., Building D Bridgeville, PA 15017 412-220-9204 1-888-703-3999 Fax: 412-220-9351
<b>PROJECT</b>	
<b>ENGINEER</b>	
<b>ARCHITECT</b>	
<b>PRO/PO #</b>	
5/16KW	

---

---