

## SUBMITTAL

### TRV- 30



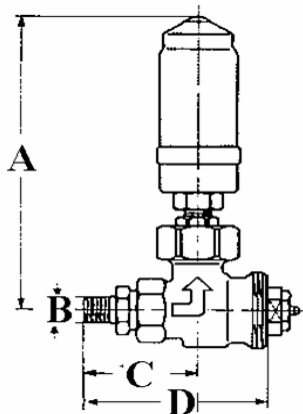
#### Features:

One Pipe Steam Valve is used on one pipe steam systems. An air vent is required with the valve, along with a thermostatic control.

This series valve contains American Steam Control UNISERT-30, a removable insert, that fails in the "open" position if the thermostatic control is removed or broken off.

With the use of the A.S.C. UNICHANGER, the valve insert may be changed without draining the system or disturbing the piping.

### ONE PIPE STEAM



#### Specifications

##### Application Range:

Max. Temperature: 250° F  
 Max. Water Pressure: 150 psig  
 Max. Steam Pressure: 15 psig

##### Materials:

Valve Body: Brass, Nickel Plated  
 Trim: Unisert -30  
 Casing: Brass  
 Stem: Stainless Steel  
 Seat: Stainless Steel  
 Disc: Stainless Steel  
 O-Ring Seals: EPDM (Nordel) or Viton

SIZE	A	B	C	D
1/8"	4 3/4"	1/8"	1 9/16"	2 9/16"

<b>CUSTOMER</b>	American Steam Control  Division of Walsh Controls, Inc.  www.americansteamcontrol.com  98 Vanadium Rd., Building D Bridgeville, PA 15017  412-220-9204 1-888-703-3999  Fax: 412-220-9351
<b>PROJECT</b>	
<b>ENGINEER</b>	
<b>ARCHITECT</b>	
<b>PRO/PO #</b>	
10/16kw	