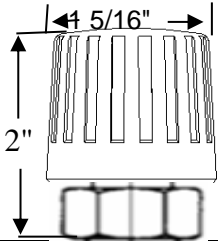
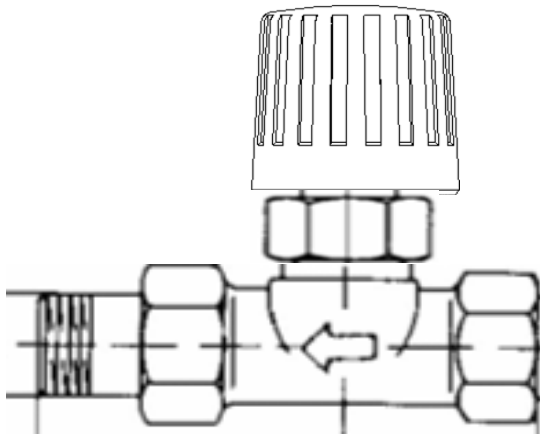


SUBMITTAL

<p>Manual Radiator Hand/Preset Valves</p> 	<p>Features:</p> <p>The American Steam Control manual hand valves are combination shut off and union valves for steam and hot water applications. These valves can also be converted to thermostatic radiator valves at a later date by simply adding a thermostatic control. With use of the American Steam Control Unichanger, the system does not have to be drained to change valve cartridges.</p>
--	--

STRAIGHT PATTERN VALVE - DIMENSIONS



Specifications

Application Range:

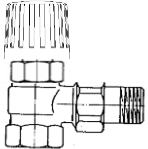
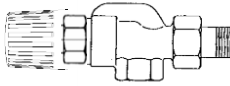
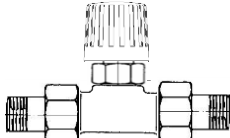
Max. Temperature: 250° F
 Max. Water Pressure: 150 psig
 Max. Steam Pressure: 15 psig

Materials:

Valve Body: Brass, Nickel Plated
 Seat: Brass
 Trim: CARTRIDGE 40
 Casing: Brass
 Disc: EPDM
 Stem: Stainless Steel
 O-Ring Seal: EPDM (Nordel)
 Hand Wheel: High Impact Resistant Plastic

Solder end valves are furnished with a MNPT by solder adapter on Inlet side

Other Available Body Styles

Vertical Angle Valve	Horizontal Angle Valve	Straight Valve, Double Union
		

CUSTOMER	<p>American Steam Control</p> <p>Division of Walsh Controls, Inc.</p> <p>www.americansteamcontrol.com</p> <p>98 Vanadium Rd., Building D Bridgeville, PA 15017</p> <p>412-220-9204 1-888-703-3999</p> <p>Fax: 412-220-9351</p>
PROJECT	
ENGINEER	
ARCHITECT	
PRO/PO #	
16-Oct	