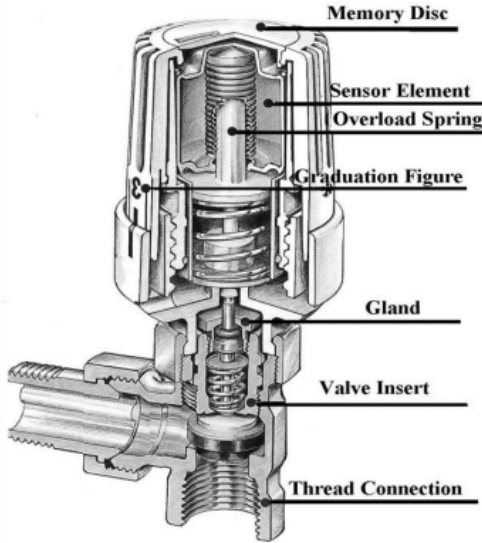


## SUBMITTAL



The American Steam Control Type "L" control with integral sensor is designed for the control to be mounted directly to the valve body.

**Control Media: Liquid Filled**

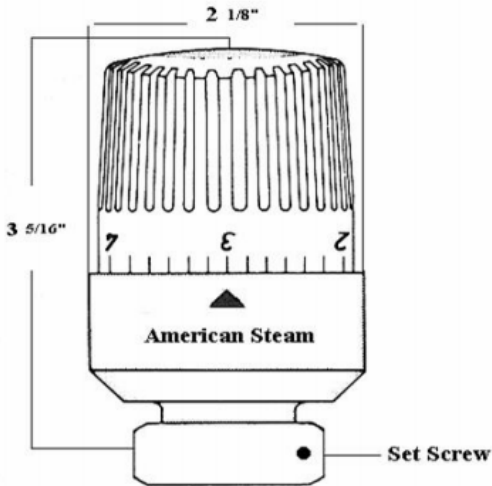
**Low Hysteresis: 0.4° F.**

FRP control heads are standard on all American Steam Control controls and have a **High Bending Resistance (183 lbs.)** and **Torque Resistance (19 ft./lbs.)**. The **Tamper Resistant Collar Nut** is heavy nickel plated brass, round with a smooth finish and a flush hardened steel set screw.

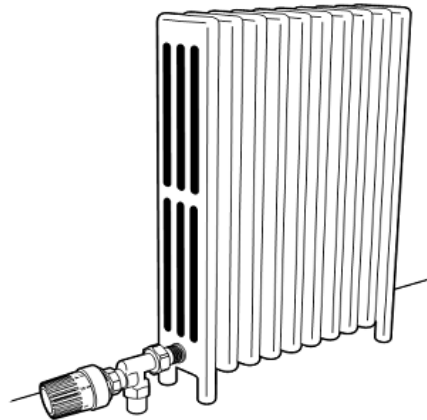
**Temperature Range: 43° F to 86° F**

Range can be re-set internally without the need for set pins. Limits and ranges can be set and locked internally without limiting the movement of the external dial.

### Dimensions



### Typical Installation



Direct Sensing Control  
#02-100-00

<b>CUSTOMER</b>
<b>PROJECT</b>
<b>ENGINEER</b>
<b>ARCHITECT</b>
<b>PRO/PO #</b>

American Steam Control  
 Division of Walsh Controls, Inc.  
[www.americansteamcontrol.com](http://www.americansteamcontrol.com)  
 98 Vanadium Rd., Building D Bridgeville, PA 15017  
 412-220-9204 1-888-703-3999  
 Fax: 412-220-9351