

# American Steam Control

Division of Walsh Controls, Inc.

Submittal #02-200-00

## SUBMITTAL

The American Steam Control Type "W" control with integral sensor is designed for the control to be mounted directly to the valve body.

**Control Media: Wax Filled**

**Low Hysteresis: 1.6° F.**

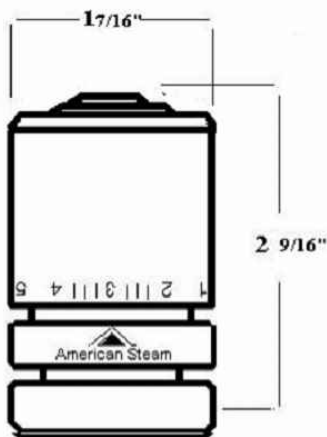
FRP control heads are standard on all American Steam Control controls and have a **High Bending Resistance (183 lbs.)** and **Torque Resistance (19 ft./lbs.)**. The **Tamper Resistant Collar Nut** is heavy plated brass, round with a smooth finish and a flush hardened steel set screw.

**Temperature Range: 43° F to 86° F**

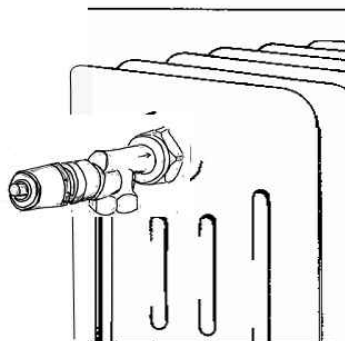
Range can be re-set internally without the need for set pins.

Limits and ranges can be set and locked internally without limiting the movement of the external dial.

Dimensions



Typical Installation



CUSTOMER

PROJECT

ENGINEER

ARCHITECT

PRO/PO #

10/16kw

American Steam Control

Division of Walsh Controls, Inc.

[www.americansteamcontrol.com](http://www.americansteamcontrol.com)

98 Vanadium Rd., Building D Bridgeville, PA 15017

412-220-9204 1-888-703-3999

Fax: 412-220-9351