

SUBMITTAL

The American Steam Control Type "W" control with 6' Remote Sensor Standard Capillary (02-220-00) and the 3' Remote Sensor **Armored** Capillary (02-240-00) are designed for the control to be mounted directly to the valve body. The remote bulbs are provided with bracket and cover for the sensing bulb and come with mounting hardware.

Control Media: Wax Filled

Low Hysteresis: 1.6° F.

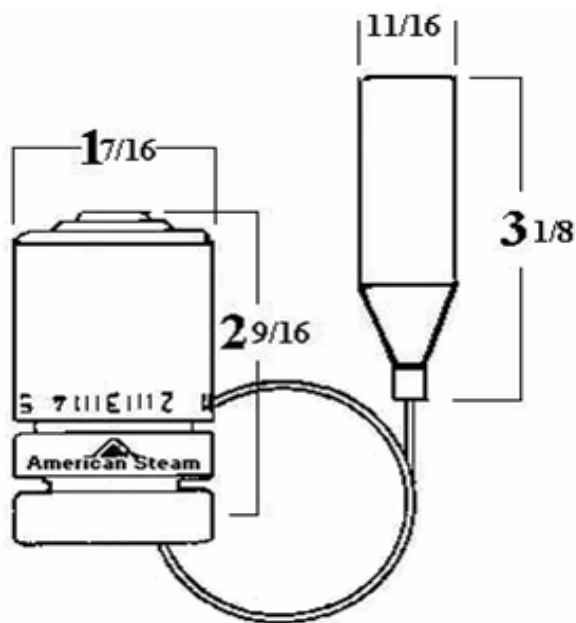
FRP control heads are standard on all American Steam Control controls and have a **High Bending Resistance (183 lbs.)** and **Torque Resistance (19 ft./lbs.)**. The **Tamper Resistant Collar Nut** is heavy nickel plated brass, round with a smooth finish and a flush hardened steel set screw.

Temperature Range: 43° F to 86° F

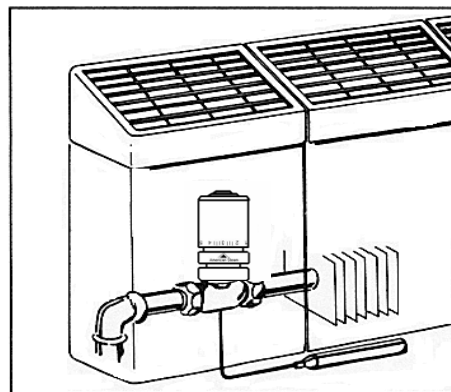
Range can be re-set internally without the need for set pins.

Limits and ranges can be set and locked internally without limiting the movement of the external dial.

Dimensions



Typical Installation



CUSTOMER

PROJECT

ENGINEER

ARCHITECT

PRO/PO #

American Steam Control

Division of Walsh Controls, Inc.

www.americansteamcontrol.com

98 Vanadium Rd., Building D Bridgeville, PA 15017

412-220-9204 1-888-703-3999

Fax: 412-220-9351