

# American Steam Control

Division of Walsh Controls, Inc.

Submittal #02-300-00 & 02-300-16

## SUBMITTAL

The American Steam Control Wall Control with Integral Sensor (02-300-00) and the Wall Control with 16' Integral Sensor (02-300-16) are designed to be mounted on a wall or cabinet at a location remote from the valve body. This allows maximum flexibility for installations that are not suitable for mounting the control directly to the valve. This also allows for the most accurate temperature sensing in this application. The remote bulbs are provided with bracket and cover for the sensing bulb and come with mounting hardware.

**Control Media: Liquid Filled**

**Low Hysteresis: 0.4° F.**

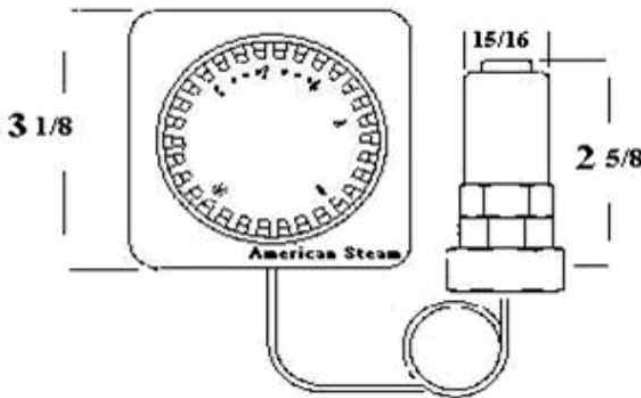
FRP control heads are standard on all American Steam Control controls and have a **High Bending Resistance (183 lbs.)** and **Torque Resistance (19 ft./lbs.)**. The **Tamper Resistant Collar Nut** is heavy nickel plated brass, round with a smooth finish and a flush hardened steel set screw.

**Temperature Range: 43° F to 86° F**

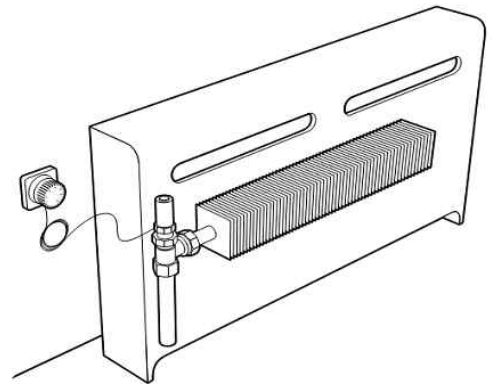
Range can be re-set internally without the need for set pins.

Limits and ranges can be set and locked internally without limiting the movement of the external dial.

Dimensions



Typical Installation



Direct Sensing Wall Control  
02-300-00  
02-300-16

**CUSTOMER**

**PROJECT**

**ENGINEER**

**ARCHITECT**

**PRO/PO #**

10/16kw

**American Steam Control**

Division of Walsh Controls, Inc.

[www.americansteamcontrol.com](http://www.americansteamcontrol.com)

98 Vanadium Rd., Building D Bridgeville, PA 15017

412-220-9204 1-888-703-3999

Fax: 412-220-9351