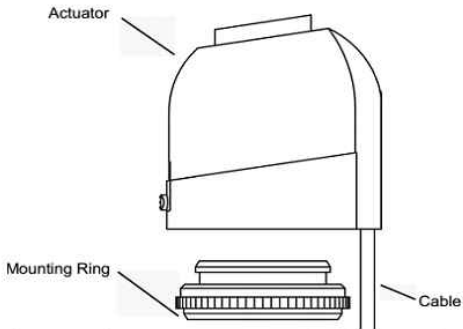


SUBMITTAL



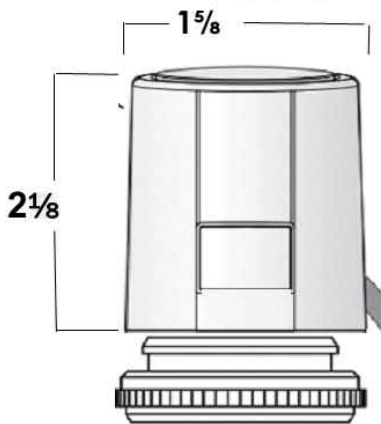
Thermo Electric Actuator

24 V Energized to Close - Fail Open (02-420-00)

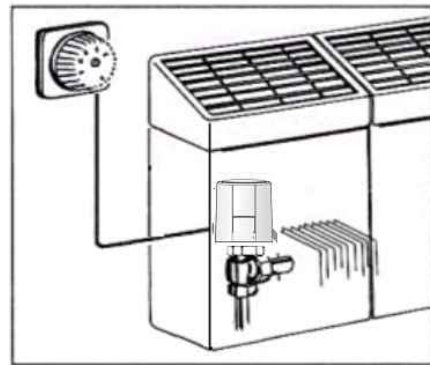
24 V Energized to Open - Fail Closed (02-430-00)

The American Steam Control Thermo Electric Actuator is designed for use with room thermostats. The actuators are used as an open/close or on/off actuator for two-point temperature control in heating and cooling systems. These actuators fit all valve body styles and can be used to control individual radiators or groups of radiators piped in series.

Dimensions



Typical Installation



CUSTOMER

PROJECT

ENGINEER

ARCHITECT

PRO/PO #

American Steam Control

Division of Walsh Controls, Inc.

www.americansteamcontrol.com

98 Vanadium Rd., Building D Bridgeville, PA 15017

412-220-9204 1-888-703-3999

Fax: 412-220-9351