

WHY THEY OFFER MORE CONTROL

Ordinary Valves Are For Ordinary Tenants.

But who has ordinary tenants? Example: In the Spring of 1982, a major housing authority installed approximately 1700 non-electric radiator valves in one of their housing projects. Within 3 weeks, virtually all the sensors were removed from the valves and the tenants had more heat than they desired. They then controlled the heat by opening and closing the windows.

Here's the problem. The standard cartridge in an ordinary non-electric radiator valve is spring-loaded with one set of disks for sealing under normal operation. When the sensor is attached to the valve, the thermostatic element applies the proper pressure to the valve stem which allows the heating medium to flow into the radiator. In **Figure 1**, the sensor has been removed. Due to the spring-loading of the cartridge when the thermostatic element has been removed - whether screwed off or broken off - the valve will now be wide open allowing the maximum amount of steam or hot water to flow to the radiator.

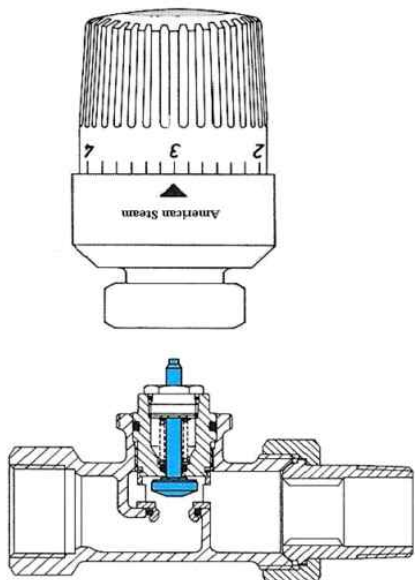


Figure 1

American Steam Control's Fail-Closed Dual Disk Valve Provides Extraordinary Protection.

American Steam Control has designed a valve to solve tampering problems. When the valve is tampered with, it will automatically close down on steam and to freeze-protection on hot water (Model TRV-20).

The dual disk cartridge consists of a standard upper disk used for normal operating control of the heat flow. The lower disk serves as a restricting agent when the sensor is removed or broken off.

Figure 2 shows when the sensor is removed how the lower disk moves into the orifice to restrict heat flow due to the spring-loading of the cartridge. (Precise perforations in the lower disk permit enough flow to provide freeze protection on hot water model TRV - 20).

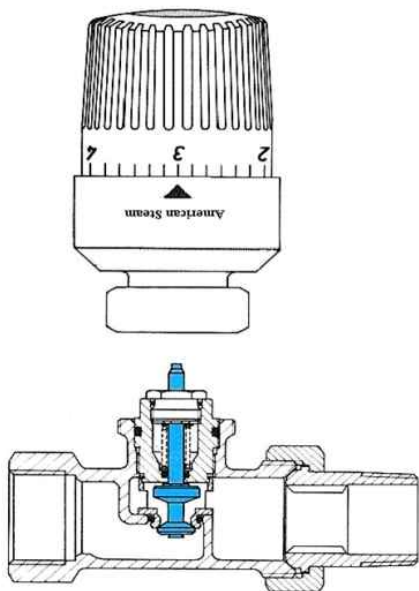


Figure 2

AVAILABLE EXCLUSIVELY FROM AMERICAN STEAM CONTROL

AMERICAN STEAM CONTROL Division of Walsh Controls, Inc.

98 Vanadium Rd., Building D, Bridgeville, PA 15017 1-888-703-3999

www.americansteamcontrol.com